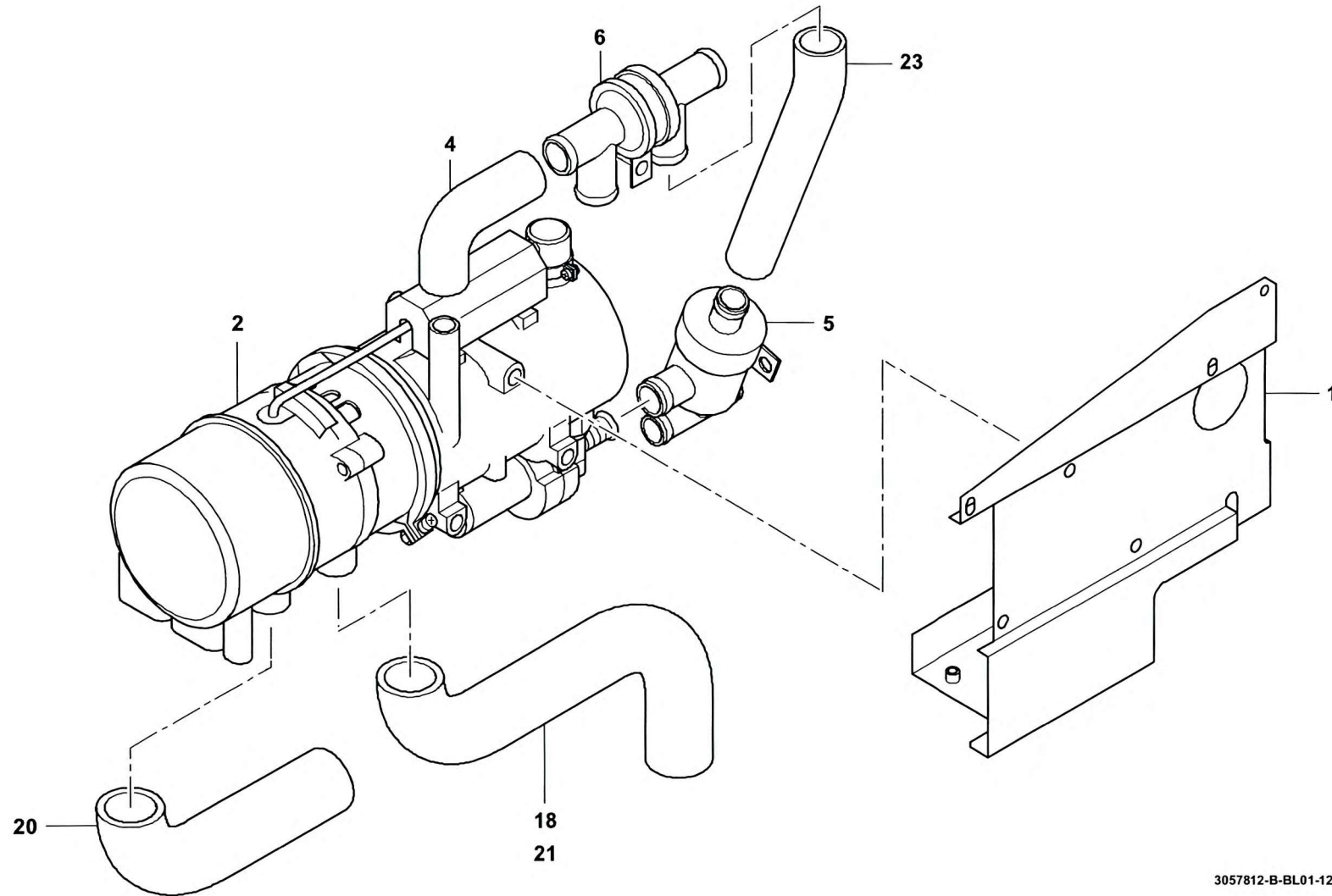


GROVESTANDHEIZUNG
AUXILIARY HEATINGBILDTADEL
PICTORIAL DISPLAY

12.07

3057812-ETL B

1/1

GMK 5095
BE 753
G 296

3057812-B-BL01-1207-0000